

RESPONSIBILITIES:
YOU EXPRESSLY UNDERSTAND AND AGREE THAT YOUR USE OF AND RELIANCE UPON ANY AND ALL PLANS, SPECIFICATIONS AND/OR RELATED CONTENT COLLECTIVELY "PLANS" PROVIDED BY BEST WESTERN INTERNATIONAL, INC. ("BWI") IS AT YOUR SOLE RISK AND IS MADE AVAILABLE ON AN "AS IS" AND "AS AVAILABLE" BASIS. BWI MAKES NO EXPRESS OR IMPLIED REPRESENTATIONS, WARRANTIES, OR GUARANTEES WITH REGARD TO THE APPROPRIATENESS, ACCURACY, SUFFICIENCY, CORRECTNESS, VERACITY, VALUE, COMPLETENESS, OR TIMELINESS OF THE BWI PLANS, INCLUDING WITHOUT LIMITATION COMPLIANCE WITH THE AMERICANS WITH DISABILITIES ACT, FEDERAL, STATE OR LOCAL LAWS, RULES, REGULATIONS OR CODE, OR ADEQUACY FOR ANY SPECIFIC OR INTENDED PURPOSE. BWI EXPRESSLY DISCLAIMS ALL WARRANTIES OF ANY KIND, WHETHER EXPRESS OR IMPLIED, INCLUDING, BUT NOT LIMITED TO THE IMPLIED WARRANTIES OF MERCHANTABILITY, FITNESS FOR A PARTICULAR PURPOSE AND NON-INFRINGEMENT.

IN NO EVENT SHALL BWI BE LIABLE FOR ANY DIRECT, INDIRECT, PUNITIVE, INCIDENTAL, SPECIAL, CONSEQUENTIAL DAMAGES OR ANY DAMAGES WHATSOEVER, INCLUDING, WITHOUT LIMITATION, DAMAGES FOR LOSS OF USE, DATA OR PROFITS, ARISING OUT OF OR IN ANY WAY CONNECTED WITH THE USE OR PERFORMANCE OF ANY BWI PROVIDED PLANS OR OTHERWISE ARISING OUT OF THE USE OF THE BWI PLANS, IN WHOLE OR IN PART, WHETHER BASED ON CONTRACT, TORT, NEGLIGENCE, STRICT LIABILITY OR OTHERWISE, EVEN IF BWI HAS BEEN ADVISED OF THE POSSIBILITY OF DAMAGES. ALL USE OF THE PLANS IS DONE AT YOUR OWN DISCRETION AND RISK AND YOU WILL BE SOLELY RESPONSIBLE FOR ANY DAMAGE THAT RESULTS THEREFROM.

IF YOU ARE DISSATISFIED WITH ANY PORTION OF THE BWI PLANS OR WITH ANY OF THESE TERMS OF USE, YOUR SOLE AND EXCLUSIVE REMEDY IS TO DISCONTINUE USING SUCH PLANS AND SPECIFICATIONS. YOU ARE SOLELY RESPONSIBLE FOR DETERMINING THE ADEQUACY AND SUITABILITY OF ANY PLANS FOR YOUR PARTICULAR NEEDS. YOU ARE HEREBY ENCOURAGED BY BWI TO CONSULT WITH THE APPROPRIATE PROFESSIONAL ADVISORS TO DETERMINE THE ADEQUACY, SUITABILITY AND COMPLIANCE WITH APPLICABLE LAWS FOR ANY SUCH PLANS.

NOT FOR CONSTRUCTION

NO.	DATE	ISSUE

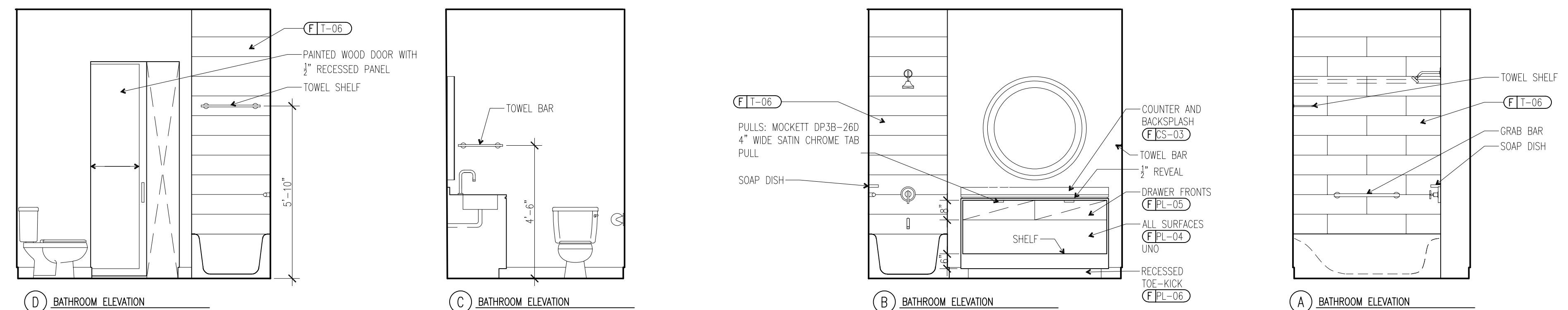
PROJECT NAME:
BEST WESTERN DUAL PROTOTYPE

PROJECT NUMBER:
PR-###

DATE: 07-01-18

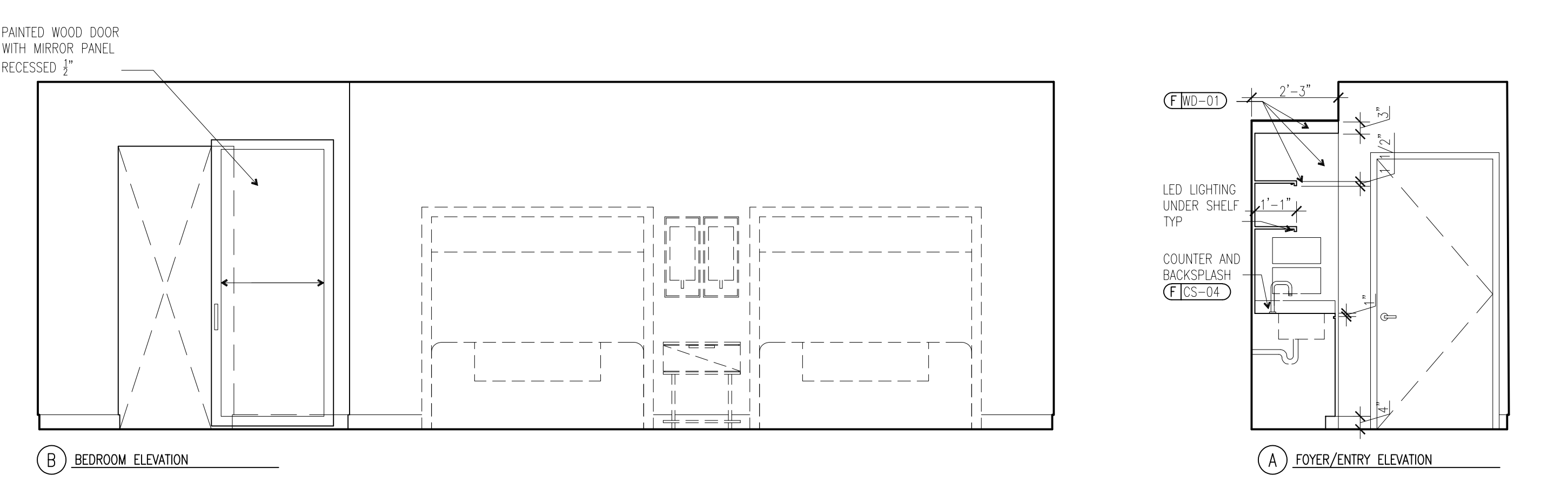
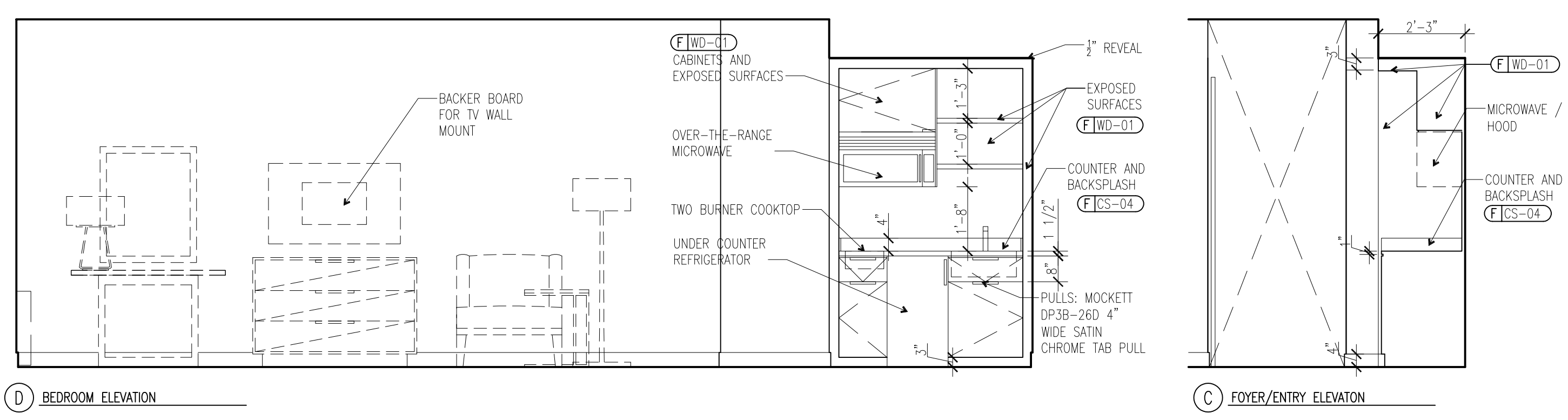
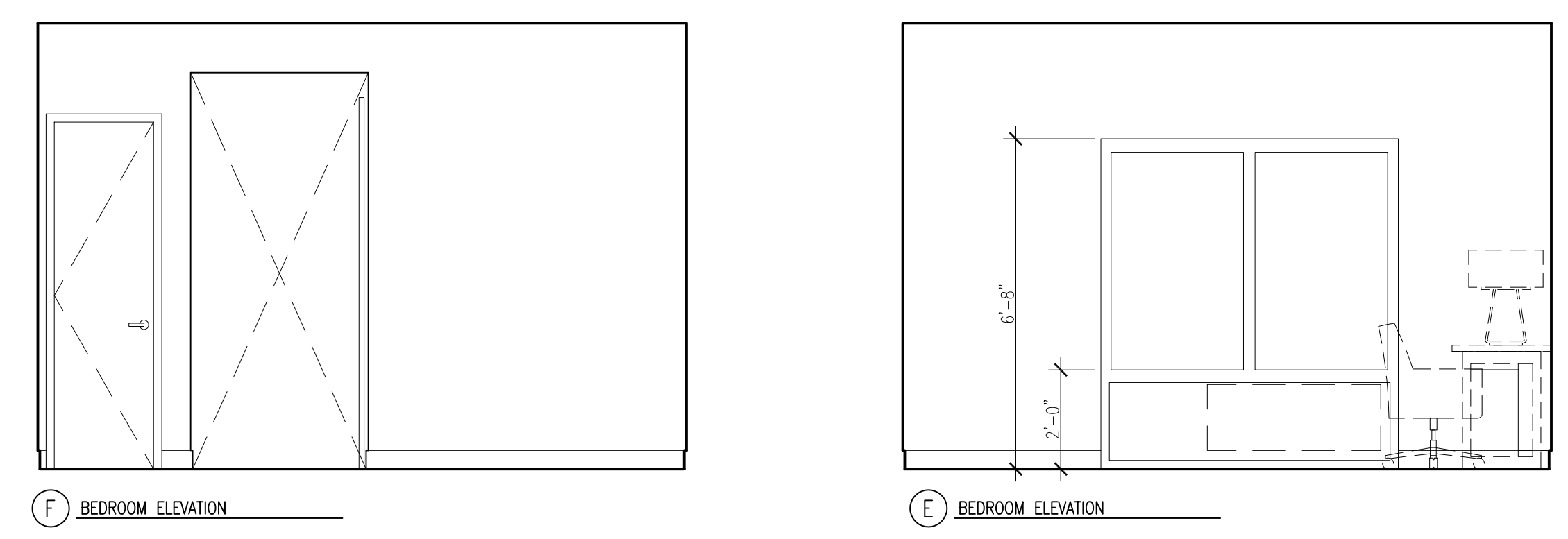
SHEET DESCRIPTION:
2S Q/R GUEST ROOM STUDIO PLANS AND ELEVATIONS

SCALE:
SHEET NUMBER:
ID9.02



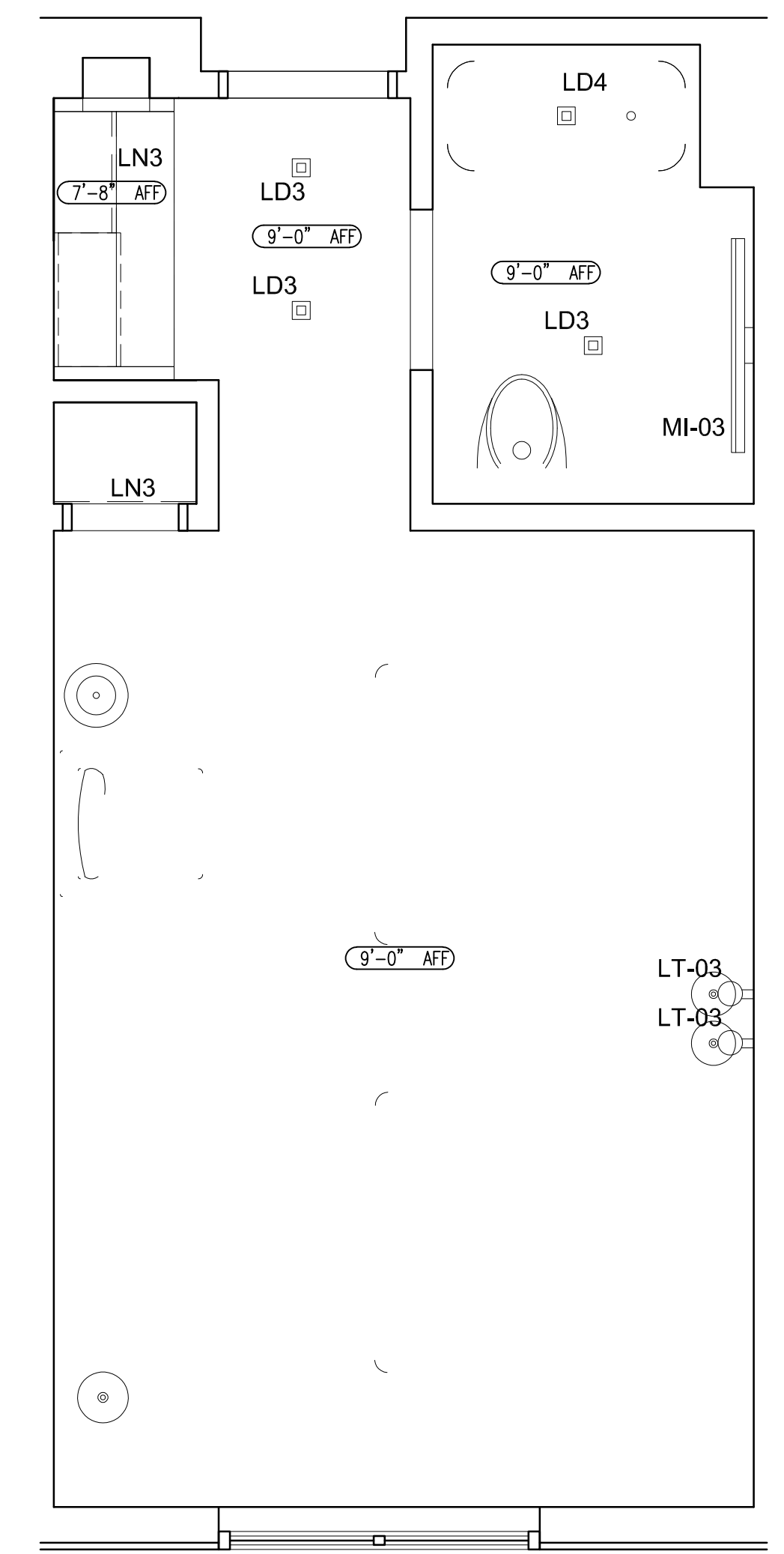
BATHROOM ELEVATIONS

SCALE: 3/8"=1'-0" **4**



GUEST ROOM ELEVATIONS

SCALE: 3/8"=1'-0" **3**

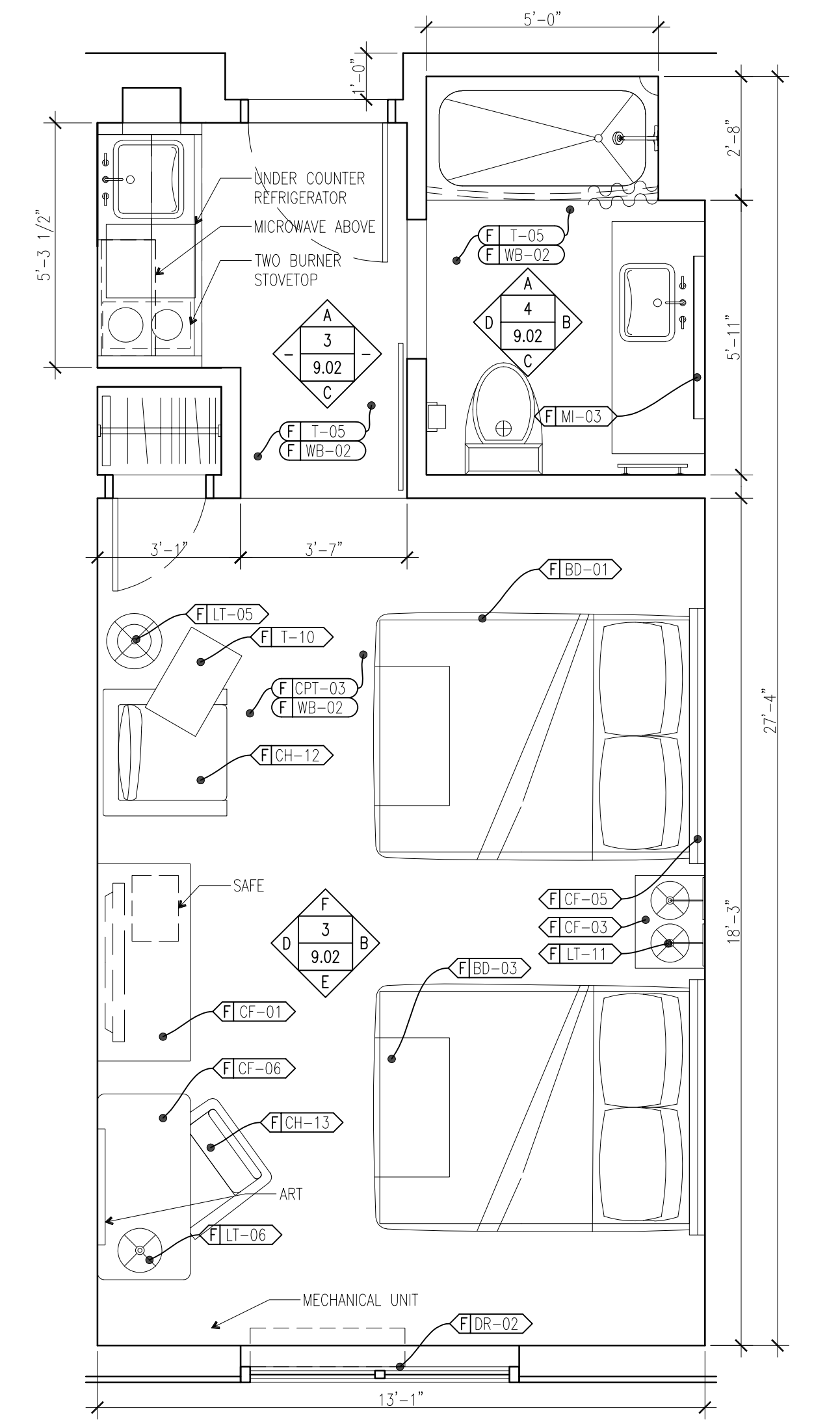


LEGEND:

- LD3 [Symbol] LED RECESSED DOWNLIGHT
- LD4 [Symbol] LED RECESSED DOWNLIGHT - SHOWER
- LN3 [Symbol] LED LINEAR SURFACE MOUNTED SHELF LIGHT
- LT-03 [Symbol] DECORATIVE WALL SCONCE
- MI-03 [Symbol] ILLUMINATED MIRROR

GUEST ROOM RCP

SCALE: 3/8"=1'-0" **2**



GUEST ROOM PLAN

SCALE: 3/8"=1'-0" **1**